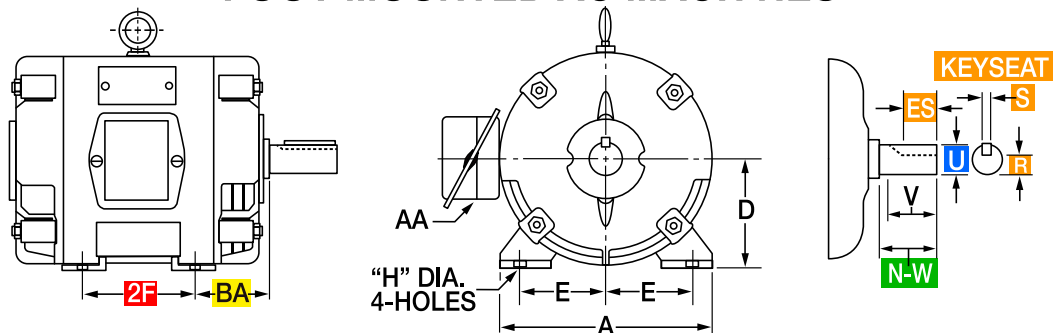


# NEMA FRAME DIMENSIONS (DIMENSIONS IN INCHES)

## FOOT MOUNTED AC MACHINES



FRAME DESIGNATIONS	A MAX	D	E	2F	BA	H**	U	N-W	V MIN.	KEYSEAT			AA MIN. t
										R	ES MIN.	S	
42		2.62	1.75	1.69	2.06	0.28	0.3750	1.12		0.328		Flat	
48		3.00	2.12	2.75	2.50	0.34	0.5000	1.50		0.453		Flat	
48H		3.00	2.12	4.75	2.50	0.34	0.5000	1.50		0.453		Flat	
56		3.50	2.44	3.00	2.75	0.34	0.6250	1.88		0.517	1.41	0.188	
56H		3.50	2.44	5.00	2.75	0.34	0.6250	1.88		0.517	1.41	0.188	
66		4.12	2.94	5.00	3.12	0.41	0.7500	2.25		0.644	1.91	0.188	
143	7.0	3.50	2.75	4.00	2.25	0.34	0.7500	2.00	1.75	0.644	1.41	0.188	3/4
143T	7.0	3.50	2.75	4.00	2.25	0.34	0.8750	2.25	2.00	0.771	1.41	0.188	3/4
145	7.0	3.50	2.75	5.00	2.25	0.34	0.7500	2.00	1.75	0.644	1.41	0.188	3/4
145T	7.0	3.50	2.75	5.00	2.25	0.34	0.8750	2.25	2.00	0.771	1.41	0.188	3/4
182	9.0	4.50	3.75	4.50	2.75	0.41	0.8750	2.25	2.00	0.771	1.41	0.188	3/4
182T	9.0	4.50	3.75	4.50	2.75	0.41	1.1250	2.75	2.50	0.986	1.78	0.250	3/4
184	9.0	4.50	3.75	5.50	2.75	0.41	0.8750	2.25	2.00	0.771	1.41	0.188	3/4
184T	9.0	4.50	3.75	5.50	2.75	0.41	1.1250	2.75	2.50	0.986	1.78	0.250	3/4
203		5.00	4.00	5.50	3.12	0.41	0.7500	2.25	2.00	0.644	1.53	0.188	
204		5.00	4.00	6.50	3.12	0.41	0.7500	2.25	2.00	0.644	1.53	0.188	
213	10.5	5.25	4.25	5.50	3.50	0.41	1.1250	3.00	2.75	0.986	2.03	0.250	3/4
213T	10.5	5.25	4.25	5.50	3.50	0.41	1.3750	3.38	3.12	1.201	2.41	0.312	1
215	10.5	5.25	4.25	7.00	3.50	0.41	1.1250	3.00	2.75	0.986	2.03	0.250	3/4
215T	10.5	5.25	4.25	7.00	3.50	0.41	1.3750	3.38	3.12	1.201	2.41	0.312	1
224		5.50	4.50	6.75	3.50	0.41	1.0000	3.00	2.75	0.859	2.03	0.250	
225		5.50	4.50	7.50	3.50	0.41	1.0000	3.00	2.75	0.859	2.03	0.250	
254		6.25	5.00	8.25	4.25	0.53	1.1250	3.38	3.12	0.986	2.03	0.250	
254U	12.5	6.25	5.00	8.25	4.25	0.53	1.3750	3.75	3.50	1.201	2.78	0.312	1
254T	12.5	6.25	5.00	8.25	4.25	0.53	1.625	4.00	3.75	1.416	2.91	0.375	1 1/4
256U	12.5	6.25	5.00	10.00	4.25	0.53	1.3750	3.75	3.50	1.201	2.78	0.312	1
256T	12.5	6.25	5.00	10.00	4.25	0.53	1.625	4.00	3.75	1.416	2.91	0.375	1 1/4
284		7.00	5.50	9.50	4.75	0.53	1.2500	3.75	3.50	1.112	2.03	0.250	
284U	14.0	7.00	5.50	9.50	4.75	0.53	1.625	4.88	4.62	1.416	3.78	0.375	1 1/4
284T	14.0	7.00	5.50	9.50	4.75	0.53	1.875	4.62	4.38	1.591	3.28	0.500	1 1/2
284TS	14.0	7.00	5.50	9.50	4.75	0.53	1.625	3.25	3.00	1.416	1.91	0.375	1 1/2
286U	14.0	7.00	5.50	11.00	4.75	0.53	1.625	4.88	4.62	1.416	3.78	0.375	1 1/4
286T	14.0	7.00	5.50	11.00	4.75	0.53	1.875	4.62	4.38	1.591	3.28	0.500	1 1/2
286TS	14.0	7.00	5.50	11.00	4.75	0.53	1.625	3.25	3.00	1.416	1.91	0.375	1 1/2
324		8.00	6.25	10.50	5.25	0.66	1.625	4.88	4.62	1.416	3.78	0.375	
324U	16.0	8.00	6.25	10.50	5.25	0.66	1.875	5.62	5.38	1.591	4.28	0.500	1 1/2
324S	16.0	8.00	6.25	10.50	5.25	0.66	1.625	3.25	3.00	1.416	1.91	0.375	1 1/2
324T	16.0	8.00	6.25	10.50	5.25	0.66	2.125	5.25	5.00	1.845	3.91	0.500	2
324TS	16.0	8.00	6.25	10.50	5.25	0.66	1.875	3.75	3.50	1.591	2.03	0.500	2
326		8.00	6.25	12.00	5.25	0.66	1.625	4.88	4.62	1.416	3.78	0.375	
326U	16.0	8.00	6.25	12.00	5.25	0.66	1.875	5.62	5.38	1.591	4.28	0.500	1 1/2
326S	16.0	8.00	6.25	12.00	5.25	0.66	1.625	3.25	3.00	1.416	1.91	0.375	1 1/2
326T	16.0	8.00	6.25	12.00	5.25	0.66	2.125	5.25	5.00	1.845	3.91	0.500	2
326TS	16.0	8.00	6.25	12.00	5.25	0.66	1.875	3.75	3.50	1.591	2.03	0.500	2
364		9.00	7.00	11.25	5.88	0.66	1.875	5.62	5.38	1.591	4.28	0.500	
364S		9.00	7.00	11.25	5.88	0.66	1.625	3.25	3.00	1.416	1.91	0.375	
364U	18.0	9.00	7.00	11.25	5.88	0.66	2.125	6.38	6.12	1.845	5.03	0.500	2
364US	18.0	9.00	7.00	11.25	5.88	0.66	1.875	3.75	3.50	1.591	2.03	0.500	2
364T	18.0	9.00	7.00	11.25	5.88	0.66	2.375	5.88	5.62	2.021	4.28	0.625	3
364TS	18.0	9.00	7.00	11.25	5.88	0.66	1.875	3.75	3.50	1.591	2.03	0.500	3
365		9.00	7.00	12.25	5.88	0.66	1.875	5.62	5.38	1.591	4.28	0.500	
365S		9.00	7.00	12.25	5.88	0.66	1.625	3.25	3.00	1.416	1.91	0.375	
365U	18.0	9.00	7.00	12.25	5.88	0.66	2.125	6.38	6.12	1.845	5.03	0.500	2
365US	18.0	9.00	7.00	12.25	5.88	0.66	1.875	3.75	3.50	1.591	2.03	0.500	2
365T	18.0	9.00	7.00	12.25	5.88	0.66	2.375	5.88	5.62	2.021	4.28	0.625	3
365TS	18.0	9.00	7.00	12.25	5.88	0.66	1.875	3.75	3.50	1.591	2.03	0.500	3
404		10.00	8.00	12.25	6.62	0.81	2.125	6.38	6.12	1.845	5.03	0.500	
404S		10.00	8.00	12.25	6.62	0.81	1.875	3.75	3.50	1.591	2.03	0.500	
404U	20.0	10.00	8.00	12.25	6.62	0.81	2.375	7.12	6.88	2.021	5.53	0.625	2
404US	20.0	10.00	8.00	12.25	6.62	0.81	2.125	4.25	4.00	1.845	2.78	0.500	2
404T	20.0	10.00	8.00	12.25	6.62	0.81	2.875	7.25	7.00	2.450	5.65	0.750	3
404TS	20.0	10.00	8.00	12.25	6.62	0.81	2.125	4.25	4.00	1.845	2.78	0.500	3
405		10.00	8.00	13.75	6.62	0.81	2.125	6.38	6.12	1.845	5.03	0.500	
405S		10.00	8.00	13.75	6.62	0.81	1.875	3.75	3.50	1.591	2.03	0.500	
405U	20.0	10.00	8.00	13.75	6.62	0.81	2.375	7.12	6.88	2.021	5.53	0.625	2
405US	20.0	10.00	8.00	13.75	6.62	0.81	2.125	4.25	4.00	1.845	2.78	0.500	2
405T	20.0	10.00	8.00	13.75	6.62	0.81	2.875	7.25	7.00	2.450	5.65	0.750	3
405TS	20.0	10.00	8.00	13.75	6.62	0.81	2.125	4.25	4.00	1.845	2.78	0.500	3
444		11.00	9.00	14.50	7.50	0.81	2.375	7.12	6.88	2.021	5.53	0.625	
444S		11.00	9.00	14.50	7.50	0.81	2.125	4.25	4.00	1.845	2.78	0.500	
444U	22.0	11.00	9.00	14.50	7.50	0.81	2.875	8.62	8.38	2.450	7.03	0.750	2 1/2
444US	22.0	11.00	9.00	14.50	7.50	0.81	2.125	4.25	4.00	1.845	2.78	0.500	2 1/2
444T	22.0	11.00	9.00	14.50	7.50	0.81	3.375	8.50	8.25	2.880	6.91	0.875	3
444TS	22.0	11.00	9.00	14.50	7.50	0.81	2.375	4.75	4.50	2.021	3.03	0.625	3
445		11.00	9.00	16.50	7.50	0.81	2.375	7.12	6.88	2.021	5.53	0.625	
445S		11.00	9.00	16.50	7.50	0.81	2.125	4.25	4.00	1.845	2.78	0.500	
445U	22.0	11.00	9.00	16.50	7.50	0.81	2.875	8.62	8.38	2.450	7.03	0.750	2 1/2
445US	22.0	11.00	9.00	16.50	7.50	0.81	2.125	4.25	4.00	1.845	2.78	0.500	2 1/2
445T	22.0	11.00	9.00	16.50	7.50	0.81	3.375	8.50	8.25	2.880	6.91	0.875	3
445TS	22.0	11.00	9.00	16.50	7.50	0.81	2.375	4.75	4.50	2.021	3.03	0.625	3
447T	22.0	11.00	9.00	20.00	7.50	0.81	3.375	8.50	8.25	2.880	6.91	0.875	3
447TS	22.0	11.00	9.00	20.00	7.50	0.81	2.375	4.75	4.50	2.021	3.03	0.625	3
449T	22.0	11.00	9.00	25.00	7.50	0.81	3.375	8.50	8.25	2.880	6.91	0.875	3
449TS	22.0	11.00	9.00	25.00	7.50	0.81	2.375	4.75	4.50	2.021	3.03	0.625	3
504U	25.0	12.50	10.00	16.00	8.50	0.94	2.875	8.62	8.38	2.450	7.28	0.750	2 1/2
504S	25.0	12.50	10.00	16.00	8.50	0.94	2.125	4.25	4.00	1.845	2.78	0.500	2 1/2
505	25.0	12.50	10.00	18.00	8.50	0.94	2.875	8.62	8.38	2.450	7.28	0.750	2 1/2
505S	25.0	12.50	10.00	18.00	8.50	0.94	2.125	4.25	4.00	1.845	2.78	0.500	2 1/2

Reference NEMA Standards MG 1-11.31

\*\*Frames 42 to 66, inclusive: the H dimension is *Width of Slot*

\*\*Frames 143 to 505S, inclusive: the H dimension is *Diameter of Hole*.

t For dimensions of clearance holes, see NEMA MG 1-4.04.

For tolerances on dimensions see NEMA MG 1-4.05 and MG 1-11.31